



142-VH03N

IGM Vacuum Clamp

Operating instructions



Distributor:
IGM nástroje a stroje s.r.o.
Ke Kopanině 560, 252 67, Tuchoměřice
Czech Republic, EU
Phone: +420 220 950 910
E-mail: sales@igmttools.com
Website: www.igmttools.com

2022-10-04
142-VH03N IGM Vacuum Clamp Manual EN v1.1.00 A4ob



Operating instructions EN

Dear Customer!

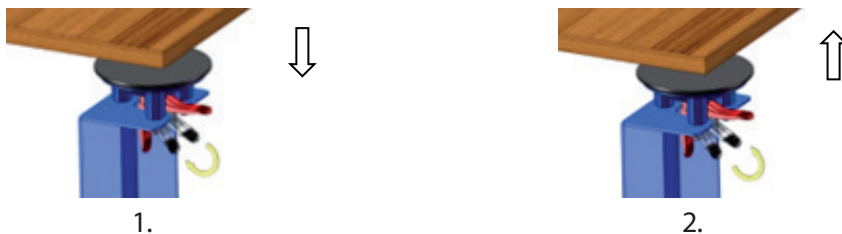
Read instruction manual before operation and follow the safety rules.

IMPORTANT NOTE DURING OPERATION

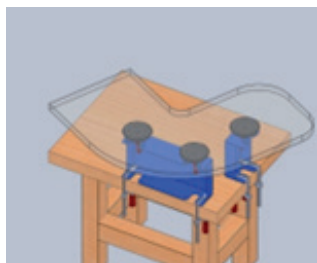
- The suction force and the suction period of time might be affected by the smoothness and the flatness of the board as well as the dust on it.
- Only used on flat and with no defect surface.
- Always keep operation manual together with the tools.
- Always pay attention and precaution to the potential of losing suction which may result danger circumstance.
- During storage, make sure no item which may cause deformation to the suction device exits or interferes to vacuum clamps.
- Before operation, make sure the workpiece is stationed stably.
- With bigger panel, multiple vacuum Kits are required for stable operation and to avoid falling of work piece due to loss of suction.

OPERATION

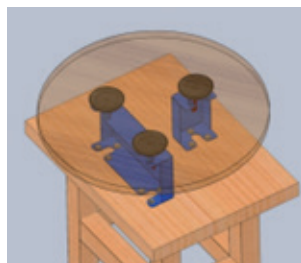
1. Press wrench of the vacuum clamp perpendicular to the surface of workpiece for suction.
2. Release suction by pushing the wrench horizontally to the surface of the workpiece.



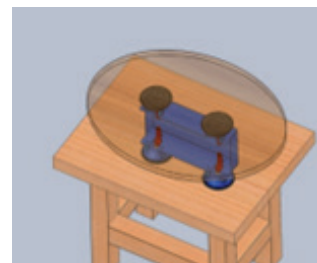
FIXING WAY FOR VACUUM KIT



1. Fix with C clamp

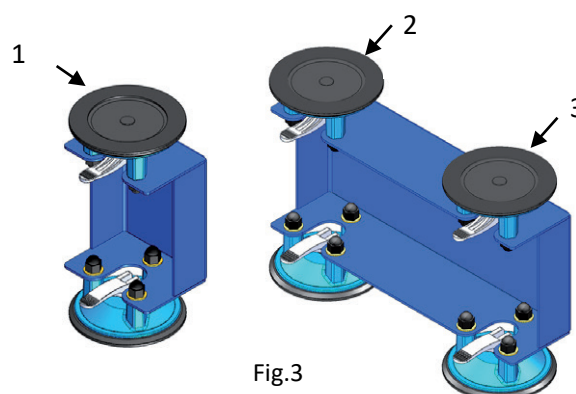
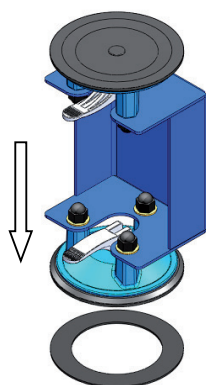


2. Fix with screw

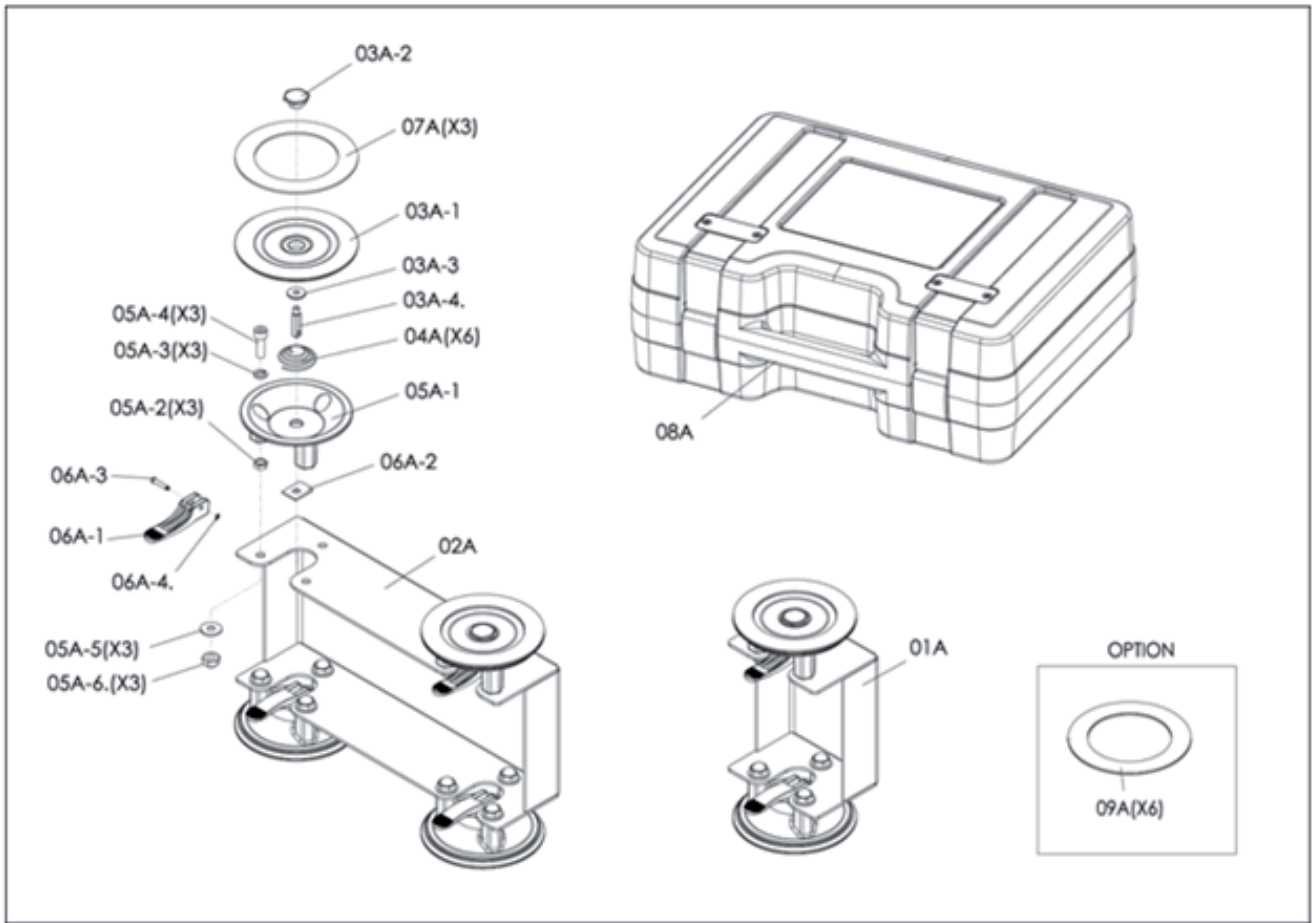


3. Fix with vacuum suckers

- Clean the sucker before paste the rubber mat.
- Remove the sticker and lay on the table.
- Put the sucker over the rubber mat.
- Make sure the rubber mat is tightly on the sucker.



EXPLODED VIEW



PARTS LIST

Part No.	Code No.	Description	QTY
01A	G110213	VACUUM KIT	1
02A	G110214	VACUUM KIT	1
03A	03A	SUCKER SET	6
03A-1	U210038	SUCKER	1
03A-2	G080015	NUT	1
03A-3	N015707	FLAT WASHER 1/4"	1
03A-4	G340023	SCREW	1
04A	N940002	COMP.SPRING	6
05A	05A	VACUUM KIT BASE SET	6
05A-1	C020102	VACUUM KIT BASE	1
05A-2	N11008R-002	NUT	3
05A-3	N030008	SPRING WASHER	3
05A-4	S900825	ROUND HEAD HEX SCREW	3
05A-5	N015822	WASHER	3
05A-6.	N130008R-001	HEX SCREW	3
06A	06A	WRENCH SET	6
06A-1	U010163	WRENCH	1
06A-2	G330003	SPACER	1
06A-3	G020090	PIN	1
06A-4	N530003	ECUP	1
07A	U210034	RUBBER MAT	3
08A	U010232	TOOL BOX	1
09A	U210034	RUBBER MAT	6



© 2022 IGM nástroje a stroje s.r.o.

IGM nástroje a stroje s.r.o., Ke kopanině 560,
Tuchoměřice, 252 67, Czech Republic, E.U.
+420 220 950 910, www.igmtools.com